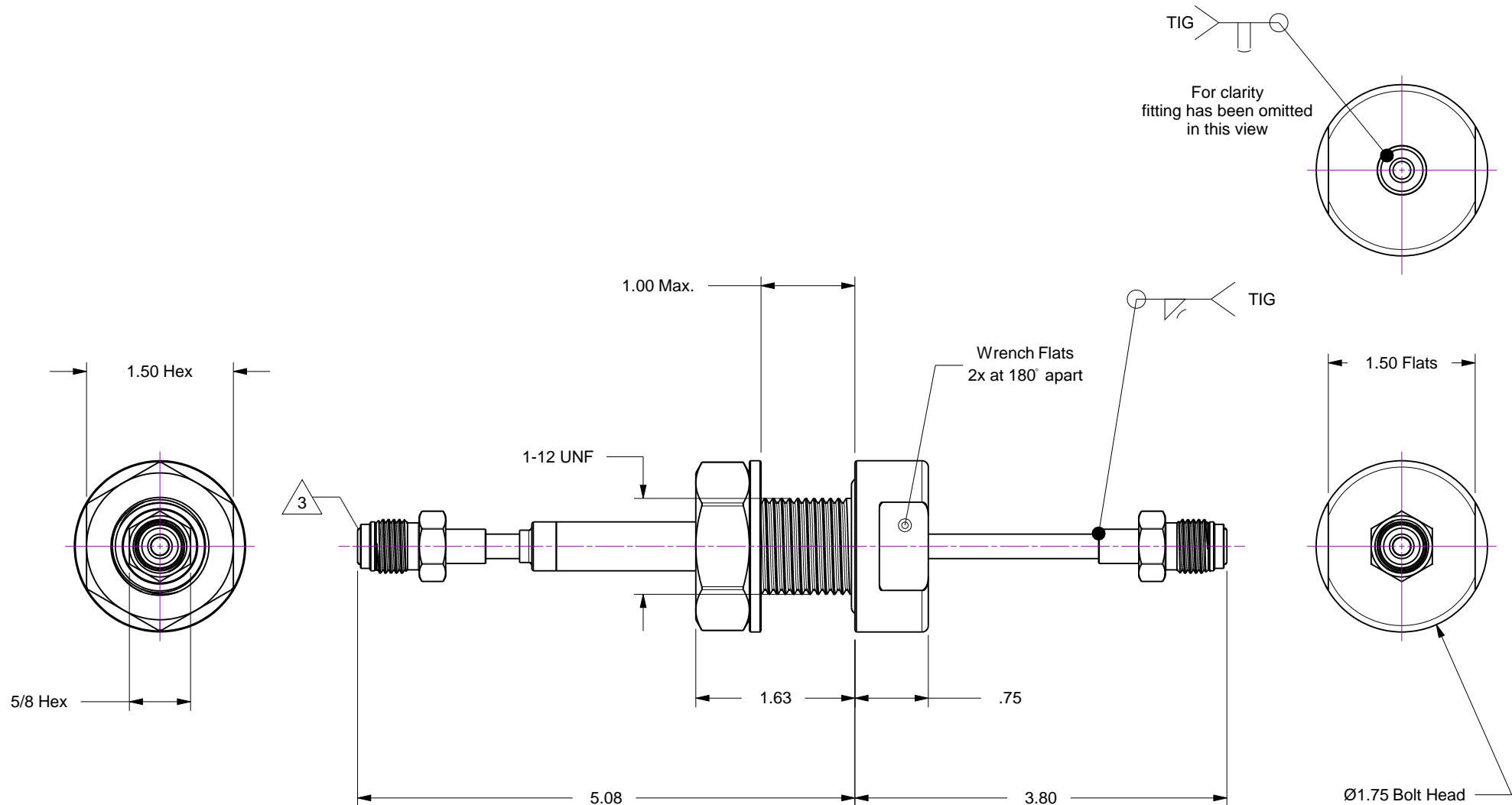


Notes

- 1. Single-tube LN2 Cryogenic feedthrough mounted on a 1-Inch Base Plate Bolt
- 2. Includes a nut, washer and Viton compound O-ring gasket
- 3. Protect VCR fitting gland seals and threads from damage
- 4. Leak test to 5x10E-10 Standard cc/sec of He

Rev.	Description	Date	Made By	Approval
A	Initial Release			




Accu-Glass Products Inc.
 25047 Anza Drive
 Valencia, CA 91355
 T 818-365-4215
 F 818-365-7074
 www.accuglassproducts.com

UNCONTROLLED WEB DRAWING

Proprietary and Confidential
 The information contained in this drawing is the sole property of Accu-Glass, Products Inc. Any reproduction, in part or as whole, without the written permission of Accu-Glass Products, Inc., is strictly prohibited.

Material See Individual Components	
Tolerances, unless otherwise specified	
.X ± .030	Angles ± 0.5°
.XX ± .010	Finish 63Ra
.XXX ± .005	

Title LN - VCR-0.250-VCR-BP			
Drawn by Date	Ligeti 6/18/2019	No. 211159	Rev. A
Approved			Sheet