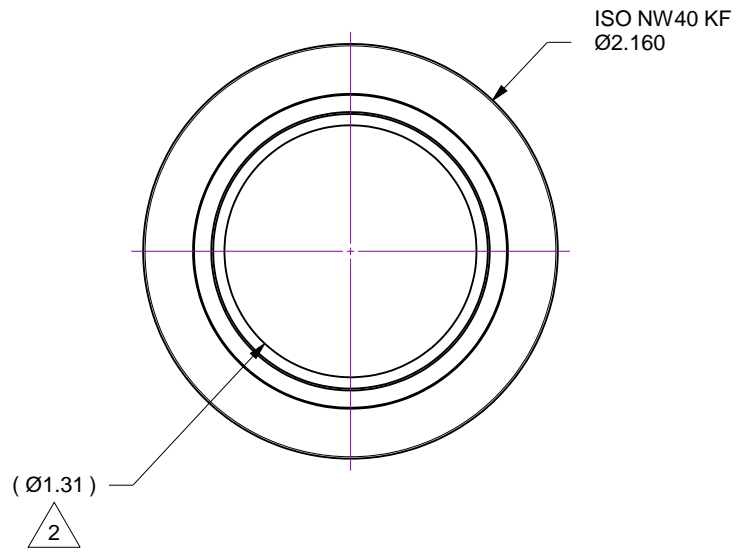
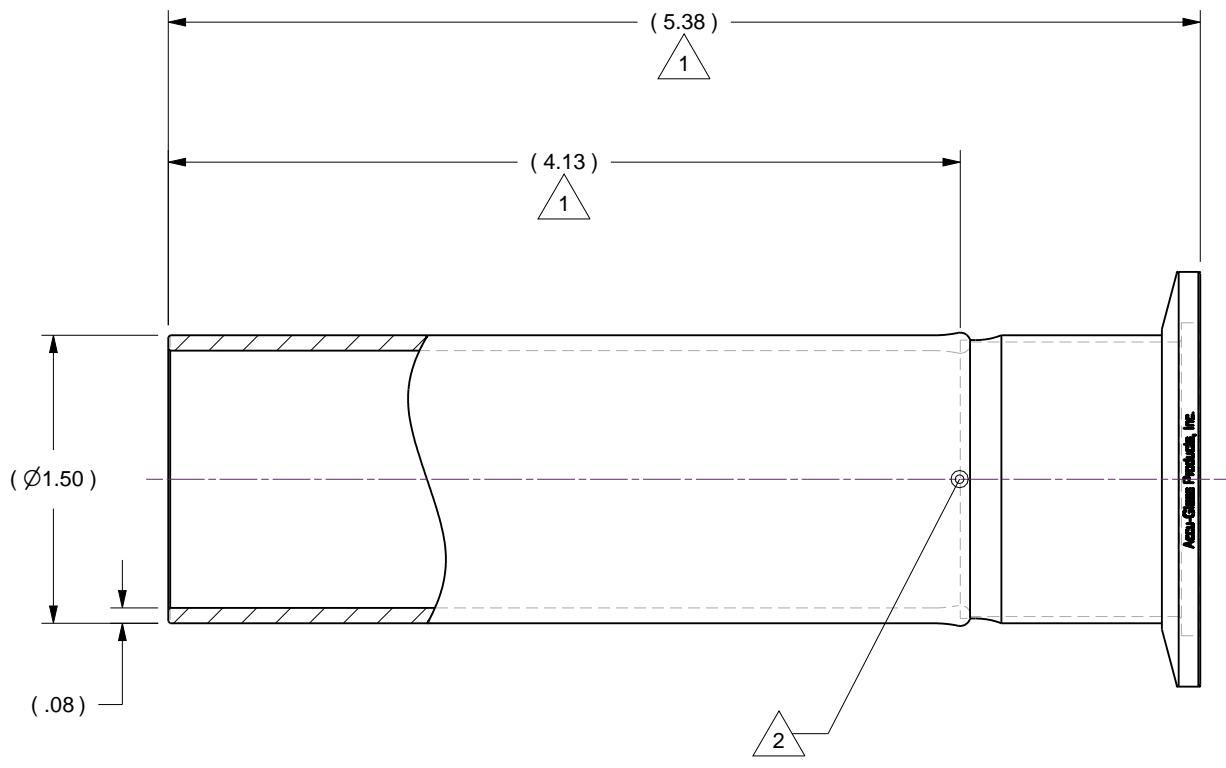
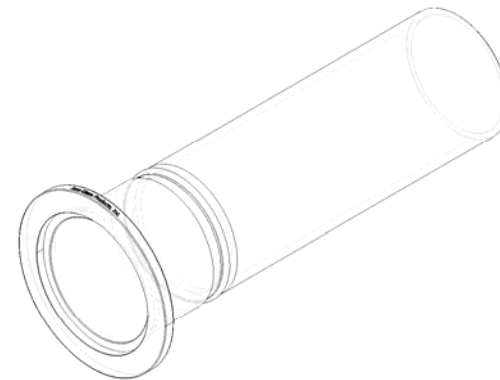


Notes

- 1. *** Although a highly specialized technology, glass-to-metal sealing and fabrication is more of an art than a science. As such, glass dimensions are nominal and only provided for reference. Note that glass lengths, diameters, and/or wall thicknesses can vary significantly from part to part. For example, glass adapter lengths can vary by as much as +/- 0.13 inch (3.3mm)***
- 2. Glass-to-metal interface diameter is smaller than that of metal or glass tube IDs. Objects inserted through this region must not exceed a 1.31 inch diameter.

Rev.	Description	Date	Made By	Approval
A	Initial Release			



Accu-Glass Products Inc.
 25047 Anza Drive
 Valencia, CA 91355
 T 818-365-4215
 F 818-365-7074
 www.accuglassproducts.com

UNCONTROLLED WEB DRAWING

Proprietary and Confidential
 The information contained in this drawing is the sole property of Accu-Glass, Products Inc. Any reproduction, in part or as whole, without the written permission of Accu-Glass Products, Inc., is strictly prohibited.

Material 7740 Pyrex	
Tolerances, unless otherwise specified	
.X ± .030	Angles ± 0.5° Finish 63Ra
.XX ± .010	
.XXX ± .005	

Title Glass Adapter, Open-End, 1-1/2" 7740-Kovar, NW40 KF			
Drawn by Date	Ligeti 5/29/2018	No. 211026	Rev. A
Approved			Sheet

A

B

C

D