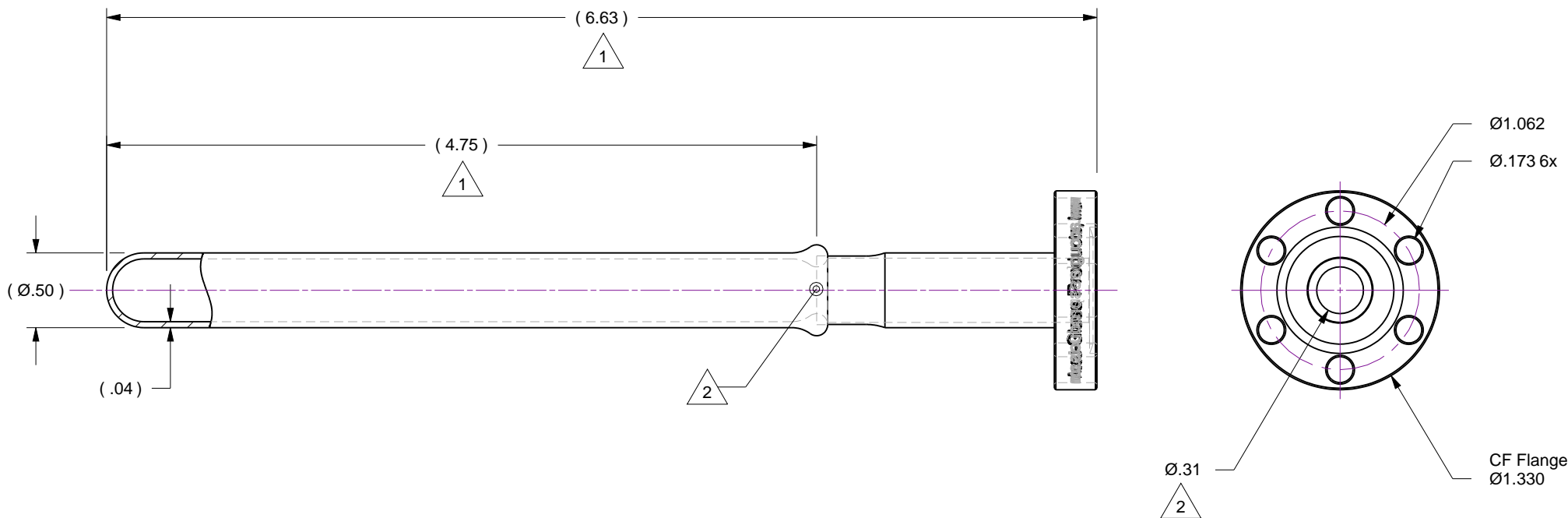
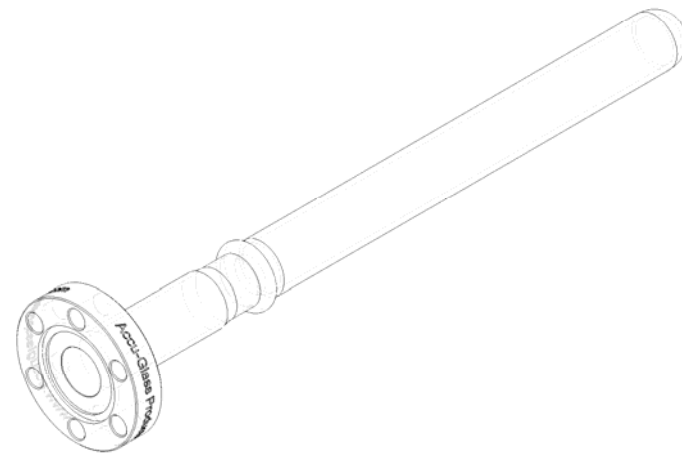


Notes

- 1. \*\*\* Although a highly specialized technology, glass-to-metal sealing and fabrication is more of an art than a science. As such, glass dimensions are nominal and only provided for reference. Note that glass lengths, diameters, and/or wall thicknesses can vary significantly from part to part. For example, glass adapter lengths can vary by as much as +/- 0.13 inch (3.3mm)\*\*\*
- 2. Glass-to-metal interface diameter is smaller than that of metal or glass tube IDs. Objects inserted through this region must not exceed a 0.31 inch diameter.

| Rev. | Description     | Date | Made By | Approval |
|------|-----------------|------|---------|----------|
| A    | Initial Release |      |         |          |



**Accu-Glass Products Inc.**  
 25047 Anza Drive  
 Valencia, CA 91355  
 T 818-365-4215  
 F 818-365-7074  
 www.accuglassproducts.com

**UNCONTROLLED WEB DRAWING**

Proprietary and Confidential  
 The information contained in this drawing is the sole property of Accu-Glass, Products Inc. Any reproduction, in part or as whole, without the written permission of Accu-Glass Products, Inc., is strictly prohibited.

|   |                              |
|---|------------------------------|
| Material<br>7740 Pyrex                    |                              |
| Tolerances,<br>unless otherwise specified |                              |
| .X ± .030                                 | Angles ± 0.5°<br>Finish 63Ra |
| .XX ± .010                                |                              |
| .XXX ± .005                               |                              |

|  |                     |                   |                  |
|--|---------------------|-------------------|------------------|
| Title<br>Glass Adapter, Domed 2-1/2" 7740-304ss on 1.33 CF |                     |                   |                  |
| Drawn by<br>Date   | Ligeti<br>5/23/2018 | No. <b>211004</b> | Rev.<br><b>A</b> |
| Approved   |                     |                   | Sheet            |