

Notes

- 1. Synthetic Sapphire Al₂O₃
- 2. Transmitted Wavefront Distortion, TWD @ 632nm (peak-to-valley)... see table
- 3. Range, Parallelism, Surface Finish, and Crystal Orientation specifications... see table
- 4. -100 to +450°C (10°C / Minute maximum thermal gradient)
- 5. Leak test to 5x10E-10 Standard cc/sec of He

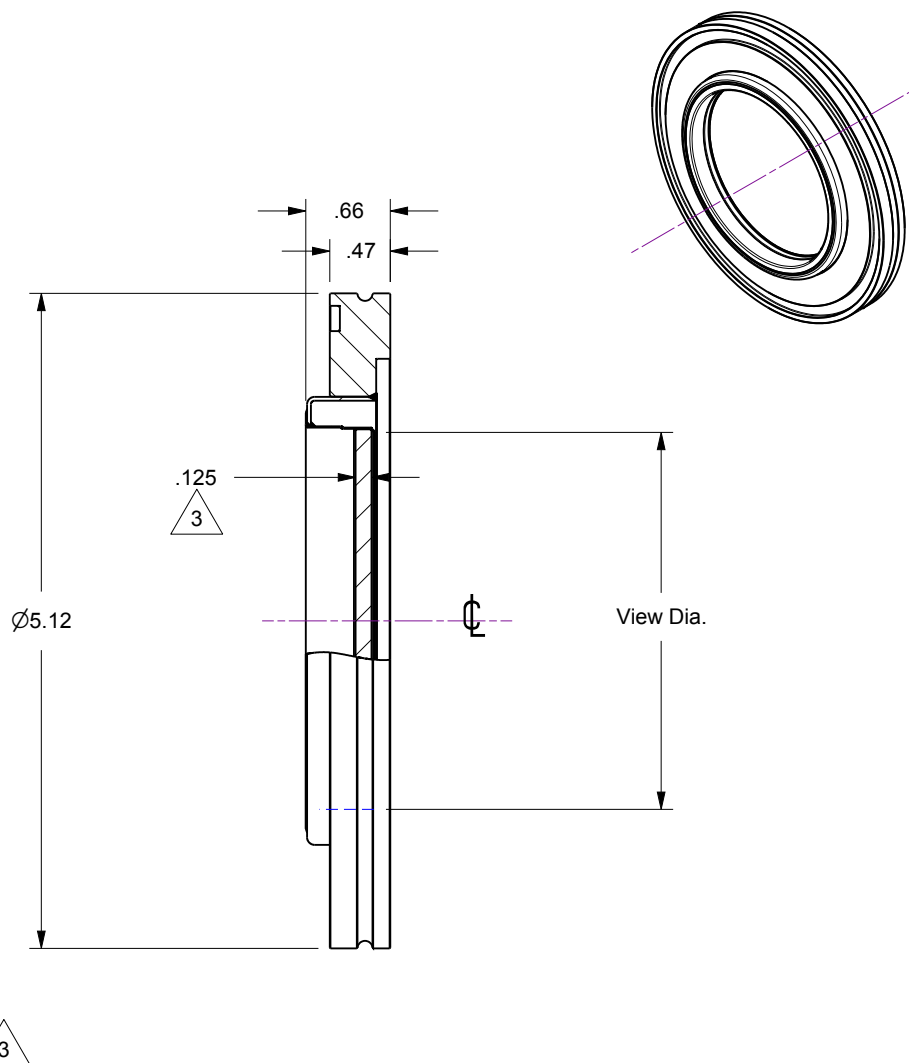
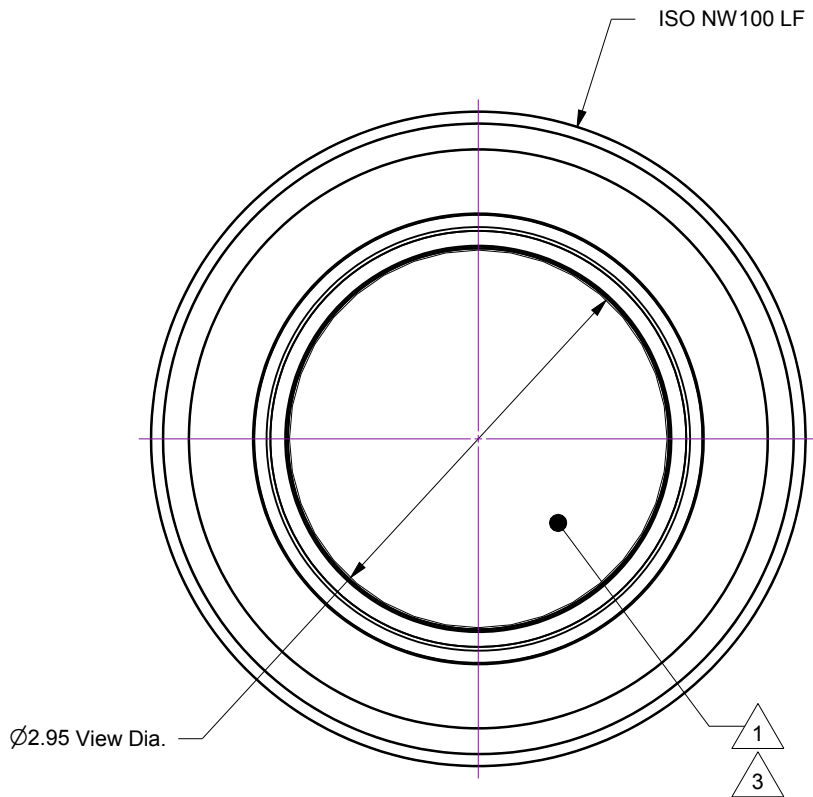
Rev	Description	Date
A	Initial Release	5/11/2022

A

B

C

D



Part No.	Range	TWD	Paralellism	Surface Finish	Crystal Orientation
	-	λ	arcseconds	Scratch / Dig	Degrees (Angle)
115051	UV	< 8	<180	50 / 20	Random
-	DUV	< 1/2	<180	20 / 10	0°



Accu-Glass Products Inc.
 25047 Anza Drive
 Valencia, CA 91355
 T 818-365-4215
 F 818-365-7074
 www.accuglassproducts.com

UNCONTROLLED WEB DRAWING

Proprietary and Confidential
 The information contained in this drawing is the sole property of Accu-Glass, Products Inc. Any reproduction, in part or as whole, without the written permission of Accu-Glass Products, Inc., is strictly prohibited.

Material 304, Kovar, Sapphire Al ₂ O ₃		Title Sapphire Viewport, 3-Inch View Dia.			
Tolerances, unless otherwise specified		Drawn by Ligeti	Date 5/11/2022	No. 115051	Rev. A
.X ± .030	Angles ± 0.5°	Approved			Sheet
.XX ± .010	Finish 63Ra				
.XXX ± .005					