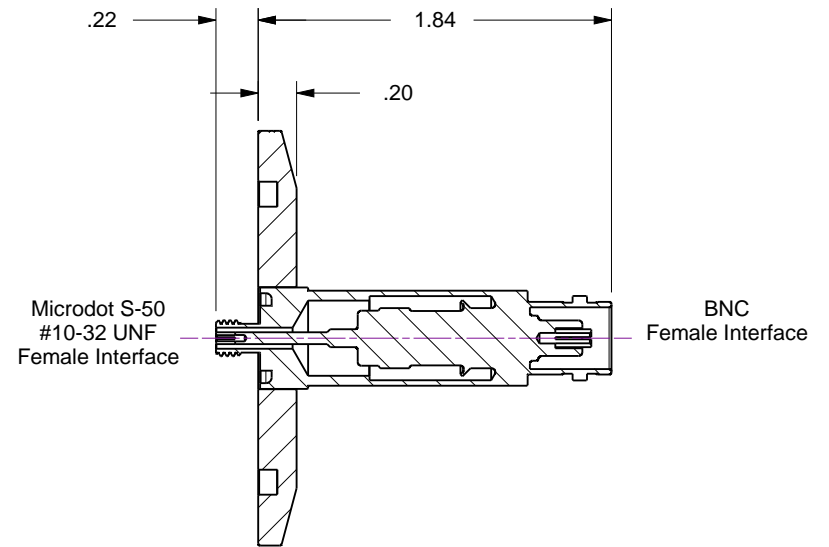
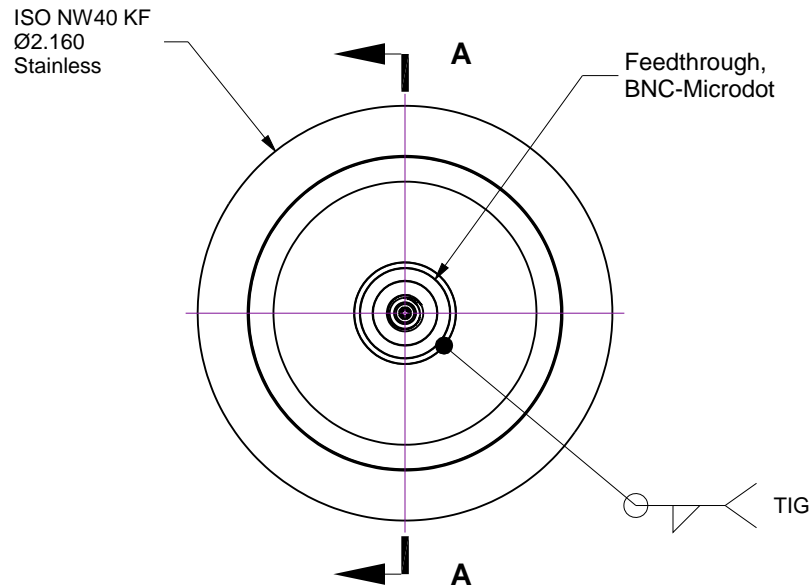
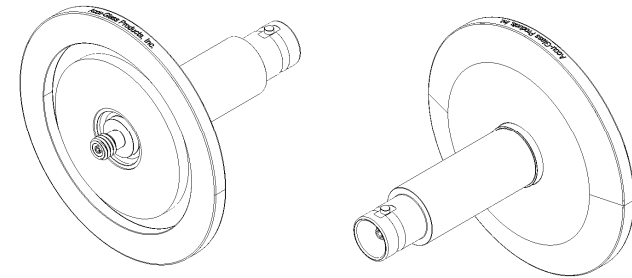


Notes

- 1. Grounded, Double-Ended Microdot S-50 to BNC Coaxial on ISO NW40 KF Flange
- 2. Use with 19 or 39 Inch UHV cables with S-50 male connectors, 112783 / 112784 respectively (sold separately)
- 3. Use with 48 Inch air service cables fitted with male BNC connectors, 110185 (sold separately)
- 4. Leak tested to 5x10E-10 Standard cc/sec of He
- 5. Custom solutions available on request

Rev.	Description	Date	Made By	Approval
A	Initial Release			



Section A-A



Accu-Glass Products Inc.
 25047 Anza Drive
 Valencia, CA 91355
 T 818-365-4215
 F 818-365-7074
 www.accuglassproducts.com

UNCONTROLLED WEB DRAWING

Proprietary and Confidential
 The information contained in this drawing is the sole property of Accu-Glass, Products Inc. Any reproduction, in part or as whole, without the written permission of Accu-Glass Products, Inc., is strictly prohibited.

Material
 See Individual Components

Tolerances,
 unless otherwise specified

.X ± .030	Angles ± 0.5° Finish 63Ra
.XX ± .010	
.XXX ± .005	

Title BNC-MD-GS-K40			
Drawn by Farrell	Date 12/18/2014	No. 113140	Rev. A
Approved			Sheet