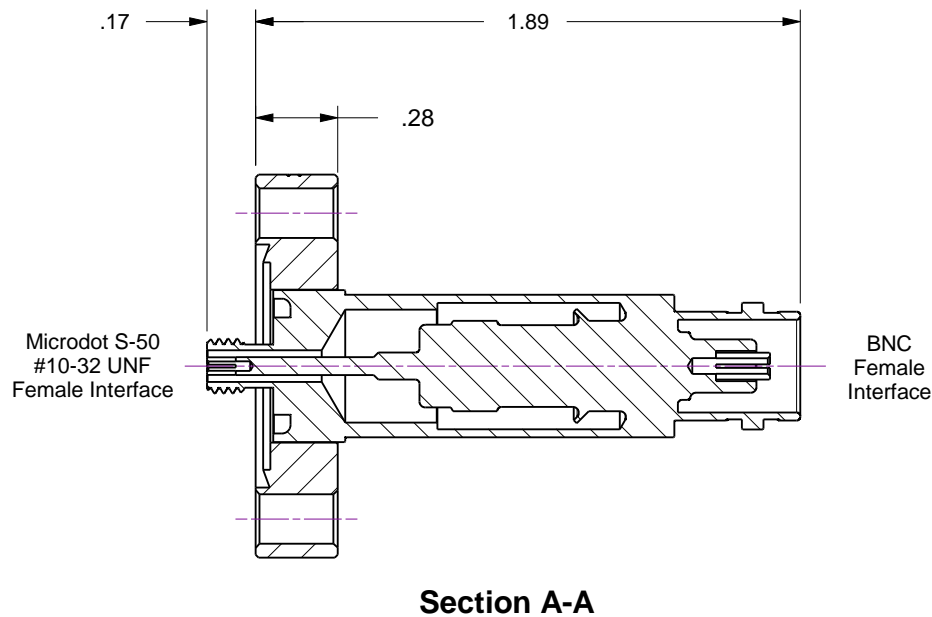
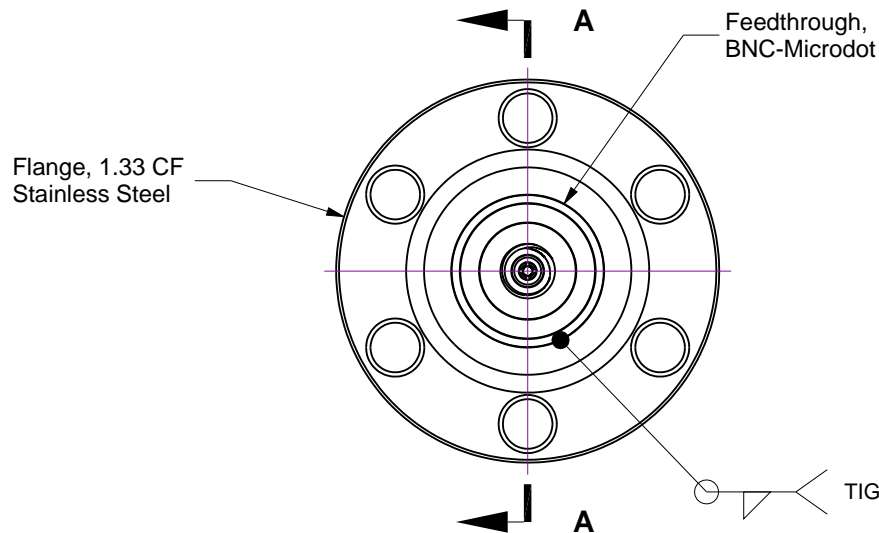
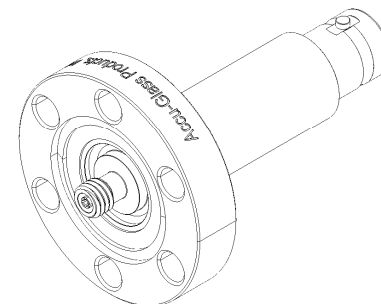


Notes

- 1. Grounded, Double-Ended Microdot S-50 to BNC Coaxial on 1.33 CF Flange
- 2. Use with 19 or 39 Inch UHV cables with S-50 male connectors, 112783 / 112784 respectively (sold separately)
- 3. Use with 48 Inch air service cables fitted with male BNC connectors, 110185 (sold separately)
- 4. Leak tested to 5x10E-10 Standard cc/sec of He
- 5. Custom solutions available on request

Rev.	Description	Date	Made By	Approval
A	Initial Release			



**Accu-Glass Products Inc.**  
 25047 Anza Drive  
 Valencia, CA 91355  
 T 818-365-4215  
 F 818-365-7074  
 www.accuglassproducts.com

**UNCONTROLLED WEB DRAWING**

Proprietary and Confidential  
 The information contained in this drawing is the sole property of Accu-Glass, Products Inc. Any reproduction, in part or as whole, without the written permission of Accu-Glass Products, Inc., is strictly prohibited.

Material  
 See Individual Components

Tolerances,  
 unless otherwise specified

.X ± .030  
 .XX ± .010  
 .XXX ± .005

Angles ± 0.5°  
 Finish 63Ra

Title

**BNC-MD-GS-133**

Drawn by  
 Date

Farrell  
 12/18/2014

No. **113125**

Rev.

**A**

Approved

Sheet