

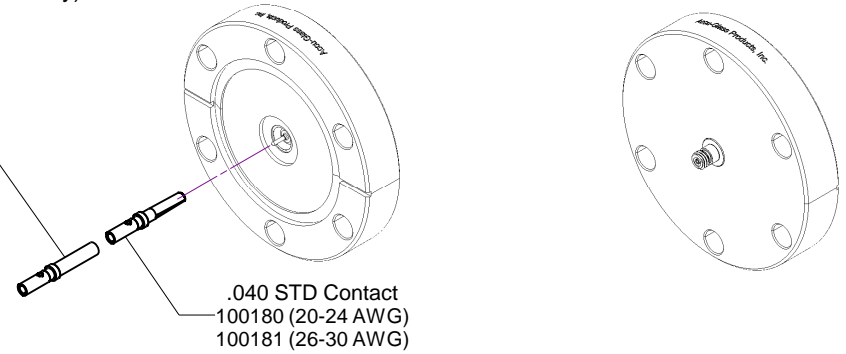
Notes

- 1. Grounded, Single-Ended Microdot S-50 to .040 Diameter Pin on 2.75 CF Flange
- 2. Vacuum-Side standard and high-duty cycle female contacts are available (sold separately)
- 3. UHV 19 and 39 Inch cables with S-50 male connectors, 112783 / 112784 respectively (sold separately)
- 4. Leak tested to 5x10E-10 Standard cc/sec of He
- 5. Custom solutions available on request

Rev.	Description	Date	Made By	Approval
A	Initial Release	12/18/2014	Farrell	

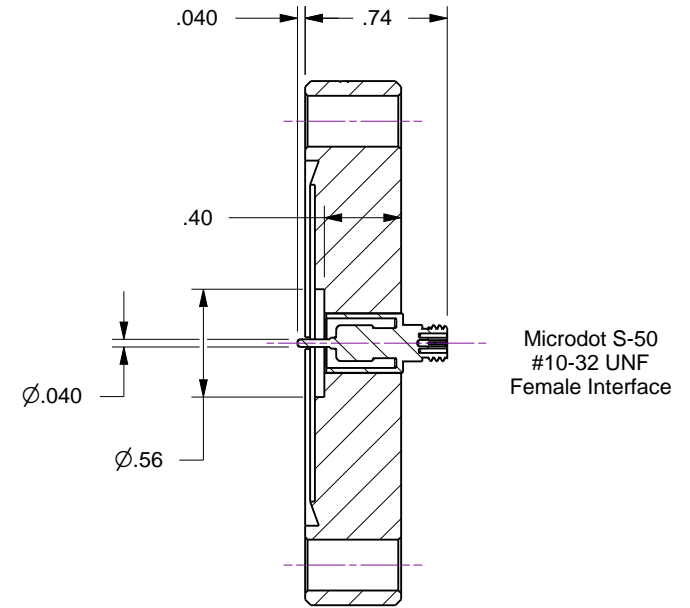
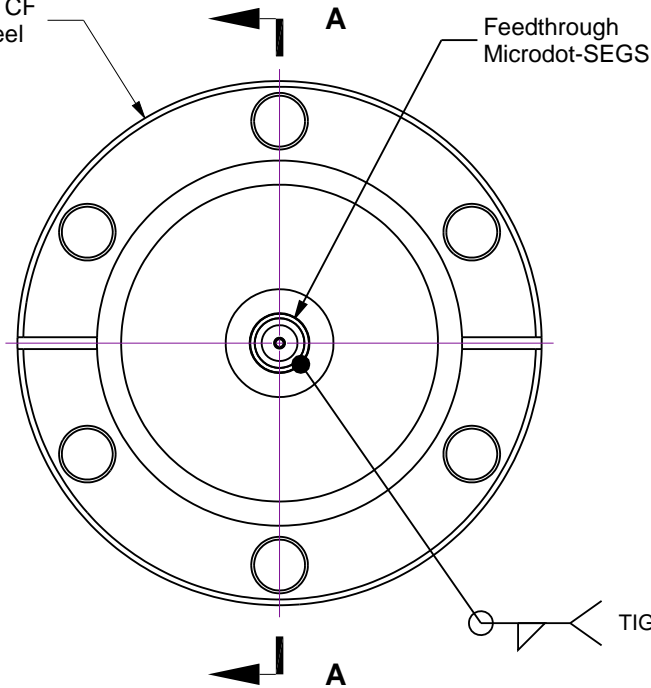
.040 HDC Contact
110908 (20-24 AWG)
110909 (26-30 AWG)

.040 STD Contact
100180 (20-24 AWG)
100181 (26-30 AWG)



Flange, 2.75 CF
Stainless Steel

Feedthrough
Microdot-SEGS



Section A-A

UNCONTROLLED WEB DRAWING

Proprietary and Confidential
The information contained in this drawing is the sole property of Accu-Glass, Products Inc. Any reproduction, in part or as whole, without the written permission of Accu-Glass Products, Inc., is strictly prohibited.

Material See Individual Components	
Tolerances, unless otherwise specified	
.X ± .030	Angles ± 0.5°
.XX ± .010	Finish 63Ra
.XXX ± .005	

Title MD-SEGS-275			
Drawn by Farrell	Date 12/18/2014	No. 113110	Rev. A
Approved			Sheet



Accu-Glass Products Inc.
25047 Anza Drive
Valencia, CA 91355
T 818-365-4215
F 818-365-7074
www.accuglassproducts.com