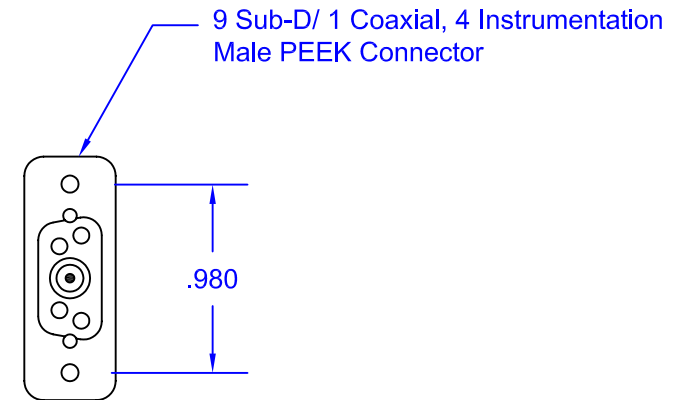
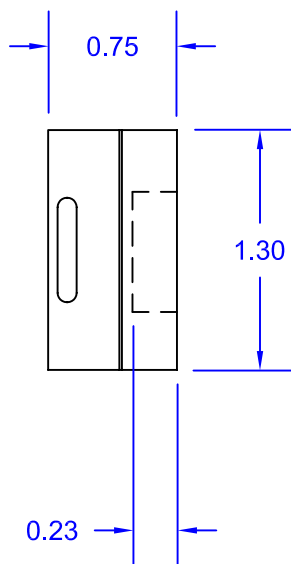
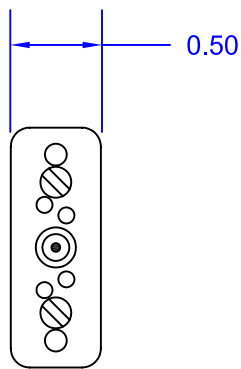


REVISIONS			
REV	DESCRIPTION	DATE	APPROVED



Special Notes :
Connectors do not include contacts and must be purchased separately.



Accu-Glass Products Inc.
25047 Anza Drive
Valencia, CA 91355
TEL 818-365-4215
FAX 818-365-7074
accuglassproducts.com

Notes :

*** UNCONTROLLED WEB COPY ***

Material		Title	
Tolerances unless otherwise specified		9D-1CX4i-PKP Male Pin UHV Connector	
Decimal	Angular	Drawn By	M.Wilson
.xx= +/- .005	+/- 1°	DWG NO.	110960
.xxx= +/- .002		Approved	
		PDFE	Cage Code : 4HCQ8
		Date	8-28-07