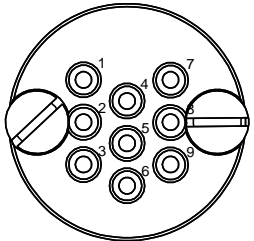


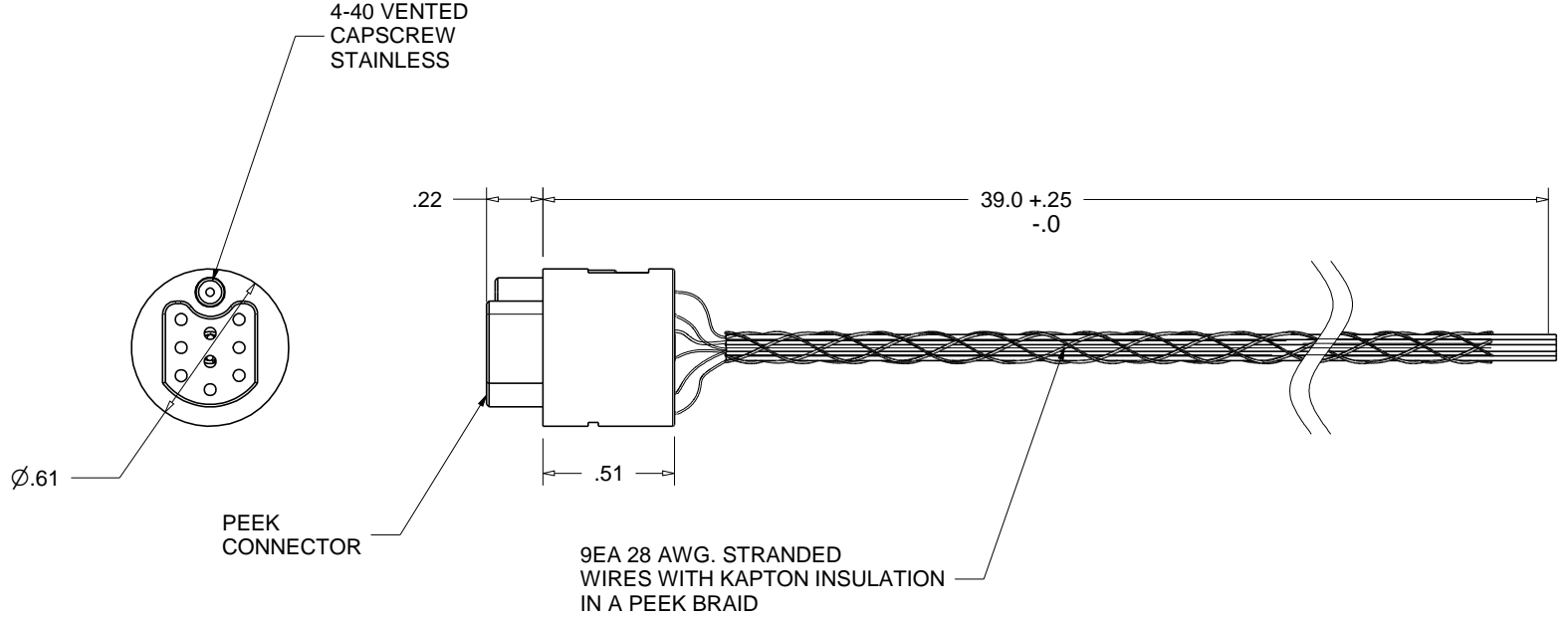
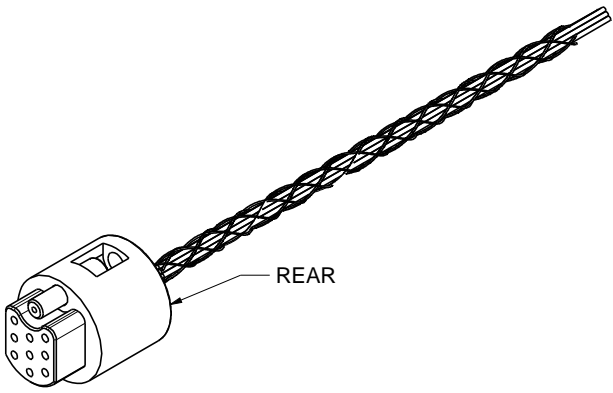
PROPRIETARY AND CONFIDENTIAL
 THE INFORMATION CONTAINED IN THIS DRAWING IS THE SOLE PROPERTY OF ACCU-GLASS PRODUCTS INC. ANY REPRODUCTION IN PART OR AS WHOLE WITHOUT THE WRITTEN PERMISSION OF ACCU-GLASS PRODUCTS INC. IS **PROHIBITED.**

HOLE NUMBER ASSIGNMENTS
 REAR VIEW



NUMBERS DO NOT APPEAR
 ON PART

Rev	Description	Date	Approved
A	INITIAL RELEASE		
B	REMOVED COLOR CODE	120611	C M



Accu-Glass Products Inc.
 25047 Anza Drive
 Valencia, CA 91355
 TEL 818-365-4215
 FAX 818-365-7074
 accuglassproducts.com

Notes:
 1. DIMENSIONS SYMMETRICAL ABOUT CENTERLINES

UNCONTROLLED WEB COPY

Material SEE ABOVE	
Tolerances unless otherwise specified.	
.X ± .03	Angular: +/- .5°
.XX ± .01	Finish: Min. 63 Ra
.XXX ± .005	

Title: CKAP-C9-39SC			
PEEK FEMALE 9C, KAPTON WIRE 39" LONG			
Drawn By Date	CR 102609	DWG. NO. 100041	Rev. B
Approved	C M	PDFE	Sheet 1 OF 1